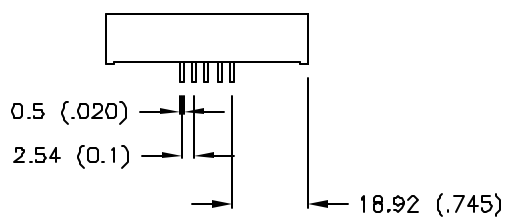
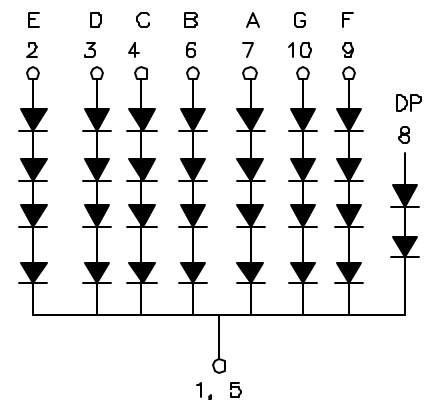
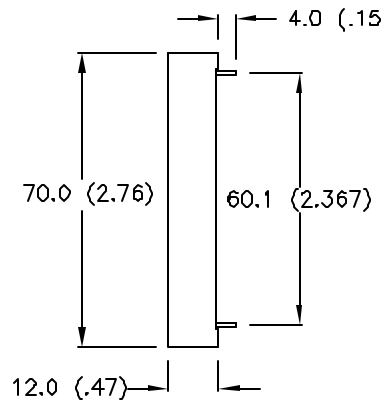
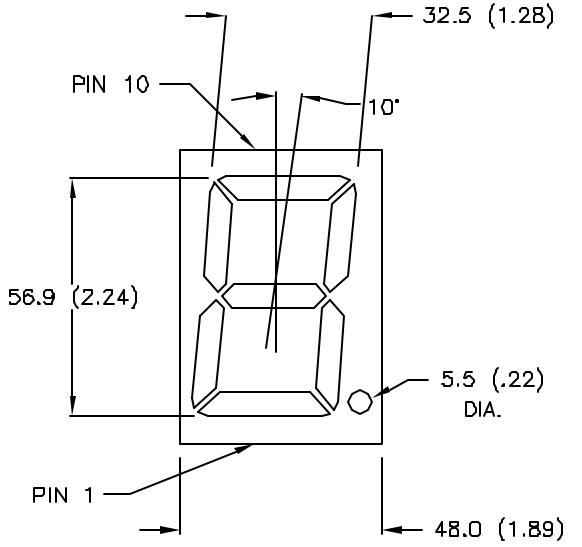


UNCONTROLLED DOCUMENT



COLORS	$T_A = -25^\circ\text{C}$ ABSOLUTE MAXIMUM RATINGS PER LED CHIP						$T_A = 25^\circ\text{C}$ ELECTRO-OPTICAL CHARACTERISTICS					
	VR	IF	IFP	PD	TOPR	IF	V _F TYP	V _F MAX	IV TYP	IR MAX	IP	
FONT SEGMENT	V	mA	mA	mw	°C	mA	V	V	ucd	uA	nm	
RED	5	30	150	105	-40~+85°C	10	8.0	10	9000	100	635	
GRAY WHITE												

NOTES:

1. ALL DIMENSIONS ARE IN MILLIMETERS (INCHES). TOLERANCE IS 0.25 (0.01") UNLESS OTHERWISE SPECIFIED.
2. IV TESTED CONDITION IF=10mA AND THE LISTED IV IS THE AVERAGE INTENSITY FOR EVERY SEGMENT LISTED.

UNCONTROLLED DOCUMENT

UNLESS OTHERWISE SPECIFIED TOLERANCE IS ±.25mm (±0.010")

MS/D

LUMEX OPTO COMPONENTS INC.		290 E. HELLEN ROAD PALATINE, ILLINOIS 60067 (847) 359-2790	
CONFIDENTIAL INFORMATION THE INFORMATION CONTAINED IN THIS DOCUMENT IS THE PROPERTY OF LUMEX OPTO/COMPONENTS, INC. EXCEPT AS SPECIFICALLY AUTHORIZED IN WRITING BY LUMEX OPTO/COMPONENTS, INC., THE HOLDER OF THIS DOCUMENT SHALL KEEP ALL INFORMATION CONTAINED HEREIN CONFIDENTIAL AND SHALL PROTECT SAME IN WHOLE OR IN PART FROM DISCLOSURE AND DISSEMINATION TO ALL THIRD PARTIES.			
DATE:	3-25-97	DWN:	CHK'D:
SCALE:	N/A		APPD:
2.3" RED SEVEN SEGMENT DISPLAY			
PAGE 1 OF 1	DRAWING NUMBER LDS-CD14RI		REV